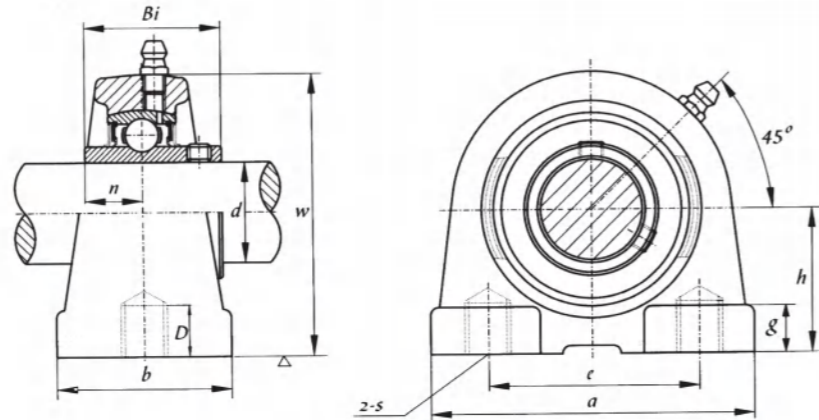


高中心立式座  
Top-based Pillow Blocks

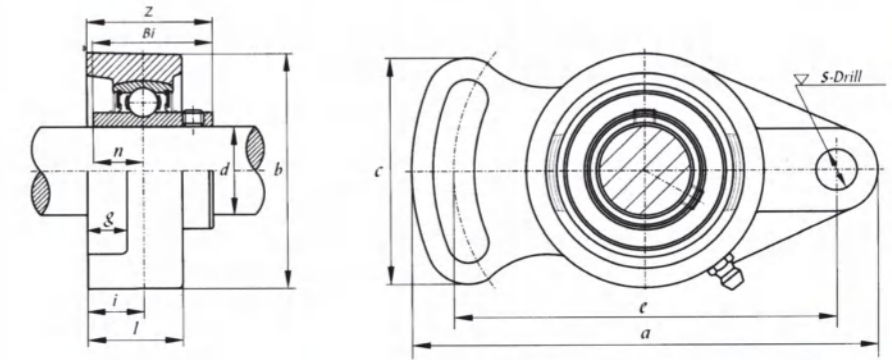
UCPA 200 (normal-duty)



带座轴承代号 Bearing Unit No.	轴径 Shaft Dia.		外形尺寸(毫米) Dimensions (mm)										螺栓 Bolt size (mm)	Bearing No.	Housing No.	重量 Weight (kg)
	(in.)	(mm)	h	a	e	b	s (mm)	g	w	D	Bi	n				
UCPA201 201-8	1/2	12	30.2	76	52	40	10	11	62	13	31.0	12.7	M 10	UC201 201-8	PA201	0.56
UCPA202 202-10	5/8	15	30.2	76	52	40	10	11	62	13	31.0	12.7	M 10	UC202 202-10	PA202	0.54
UCPA203 203-11	11/16	17	30.2	76	52	40	10	11	62	13	31.0	12.7	M 10	UC203 203-11	PA203	0.53
UCPA204-12 204	3/4	20	30.2	76	52	40	10	11	62	13	31.0	12.7	M 10	UC204-12 204	PA204	0.51
UCPA205-14 205-15 205 205-16	7/8 15/16 1	25	36.5	84	56	45	10	12	72	13	34.0	14.3	M 10	UC205-14 205-15 205 205-16	PA205	0.68
UCPA206-18 206 206-19	1 1/8 1 3/16	30	42.9	94	66	50	14	12	84	18	38.1	15.9	M 14	UC206-18 206 206-19	PA206	0.99
UCPA207-20 207-21 207-22 207 207-23	1 1/4 1 5/16 1 3/8 1 7/16	35	47.6	110	80	55	14	13	95	20	42.9	17.5	M 14	UC207-20 207-21 207-22 207 207-23	PA207	1.42
UCPA208-24 208-25 208	1 1/2 1 9/16	40	49.2	116	84	58	14	13	100	20	49.2	19.0	M 14	UC208-24 208-25 208	PA208	1.64
UCPA209-26 209-27 209-28 209	1 5/8 1 11/16 1 3/4	45	54.2	120	90	60	14	13	100	25	49.2	19.0	M 14	UC209-26 209-27 209-28 209	PA209	1.80
UCPA210-30 210-31 210 210-32	1 7/8 1 15/16 2	50	57.5	130	94	64	16	14	116	25	51.6	19.0	M 16	UC210-30 210-31 210 210-32	PA210	2.23

可调菱形座  
Adjustable Flange Units

UCFA 200 (normal-duty)



带座轴承代号 Bearing Unit No.	轴径 Shaft Dia.		外形尺寸(毫米) Dimensions (mm)										螺栓 Bolt Used		Bearing No.	Housing No.	重量 Weight (kg)	
	(in.)	(mm)	a	e	i	g	l	s	b	z	c	Bi	n	(mm)				(in.)
UCFA201 201-8	1/2	12	98	78	15	11	25.5	10	60	33.3	50	31.0	12.7	M8	5/16	UC201 201-8	FA201	0.47
UCFA202 202-10	5/8	15	98	78	15	11	25.5	10	60	33.3	50	31.0	12.7	M8	5/16	UC202 202-10	FA202	0.47
UCFA203 203-11	11/16	17	98	78	15	11	25.5	10	60	33.3	50	31.0	12.7	M8	5/16	UC203 203-11	FA203	0.47
UCFA204-12 204	3/4	20	98	78	15	11	25.5	10	60	33.3	50	31.0	12.7	M8	5/16	UC204-12 204	FA204	0.47
UCFA205-14 205-15 205 205-16	7/8 15/16 1	25	124	98	16.0	13	27	12	70	35.7	65	34.1	14.3	M10	3/8	UC205-14 205-15 205 205-16	FA205	0.68
UCFA206-18 206 206-19 206-20	1 1/8 1 3/16 1 1/4	30	141	117	18	13	31	12	83	40.2	72	38.1	15.9	M10	3/8	UC206-18 206 206-19 206-20	FA206	1.0
UCFA207-20 207-21 207-22 207 207-23	1 1/4 1 5/16 1 3/8 1 7/16	35	155	130	19	14	34	14	96	44.4	82	42.9	17.5	M12	7/16	UC207-20 207-21 207-22 207 207-23	FA207	1.4
UCFA208-24 208-25 208	1 1/2 1 9/16	40	171	144	21	16	36	14	105	51.2	87	49.2	19	M12	7/16	UC208-24 208-25 208	FA208	1.7
UCFA209-26 209-27 209-28 209	1 5/8 1 11/16 1 3/4	45	179	148	22	16	38	16	111	52.2	90	49.2	19	M14	1/2	UC209-26 209-27 209-28 209	FA209	2.1
UCFA210-30 210-31 210 210-32	1 7/8 1 15/16 2	50	189	157	22	16	40	16	116	54.6	94	51.6	19.0	M14	1/2	UC210-30 210-31 210 210-32	FA210	2.4
UCFA211-32 211-34 211 211-35	2 2 1/8 2 3/16	55	216	184	25	16	43	16	133	58.4	104	55.6	22.2	M14	1/2	UC211-32 211-34 211 211-35	FA211	3.4